



Product designation

Safety switches
with solenoid

Product type designation

KEN1

General characteristics

Material

Housing

Polymer
thermoplastic

Contact characteristics

Type of contact

1NO+1NC (Key),
2NC (Solenoid)

Thermal current I_{th}

A

10

IEC/EN 60947-5-1 designation

A300 Q300

Rated insulation voltage U_i

V

250

Rated impulse withstand voltage U_{imp}

kV

2.5

Short-circuit protection with fuse

Class/A

10 gG

IEC Conventional free air thermal current I_{th}

A

10

Mechanical features

Operating head fixing

Screwed

Operating torque

N

15 (actuator
insertion), 30
(Release actuator
extraction), 1200
(locked actuator
holding)

Tightening torque (Max)

Switch fixing

Nm

2.5

Contact terminals

Nm

0.8

Body lid screw fixing

Nm

0.8

Conductor section

IEC

min
max

mm²
mm²

1 or 2
1.5

Cable connection

Self-releasing
screw terminal

Cable entry

3 x M20

Weight

g

440

Operations

Mechanical life

cycles

1000000

B10d

cycles

4000000

Mechanical operation

cycles/h

600

Ambient conditions

Temperature

Operating temperature

max °C +55

Storage temperature

min °C -40

max °C +70

Resistance & Protection

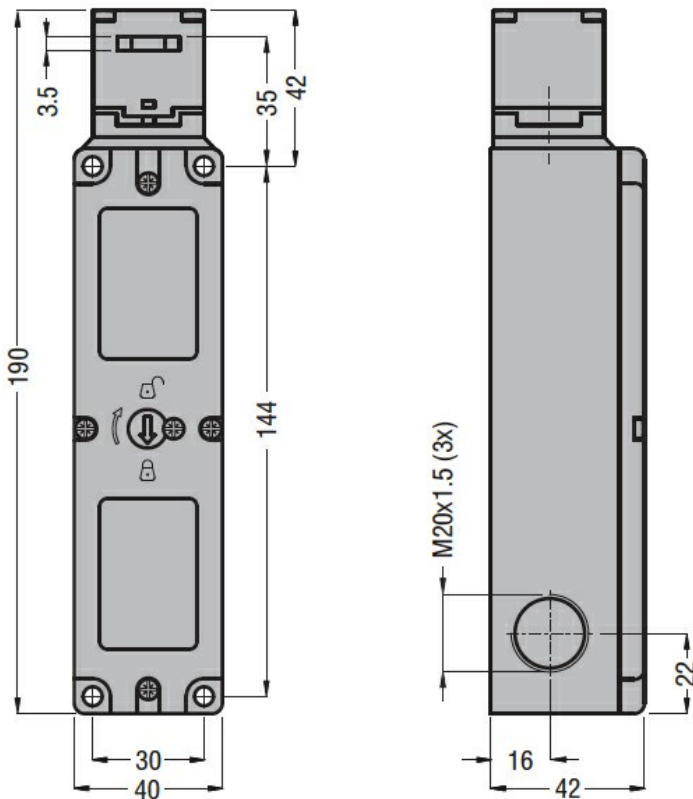
IP degree

Terminals	IP20
Body housing	IP65

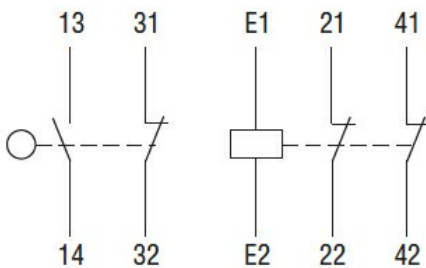
Pollution degree

3

Dimensions



Wiring diagrams



Certifications and compliance

Compliance

CSA C22.2 n°14

IEC/EN 60204

IEC/EN 60947-1

IEC/EN 60947-5-1

UL508

UNI EN ISO 14119

Certificates

cULus

EAC

ETIM classification

ETIM 8.0

EC000030 - End
switch